

Tanktop Filters Models FTA, FTB, FTC

300 l/min - 10 bar

Brochure 2380-GB-6





Tank Top mounted filters, with low installed height, surge responsive bypass valve and simple one piece element removal.

These hydraulic filters are ideal for Mobile or Industrial applications and are available with integral fill port, breather, dipstick and bowl adaptors.

APPLICATIONS :-

- Mobile Equipment
- Construction
- Industrial Power Units

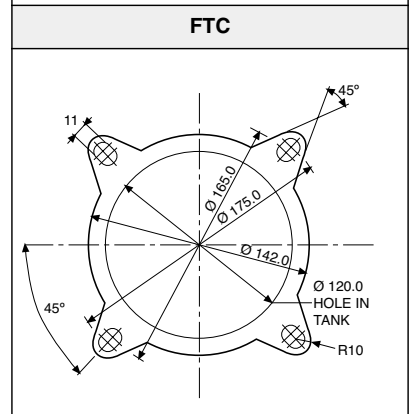
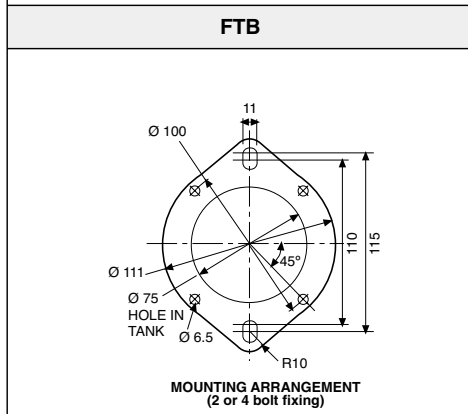
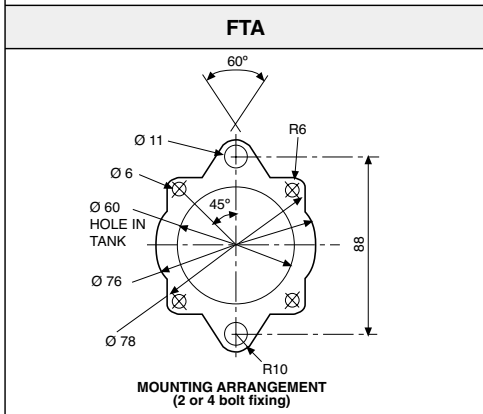
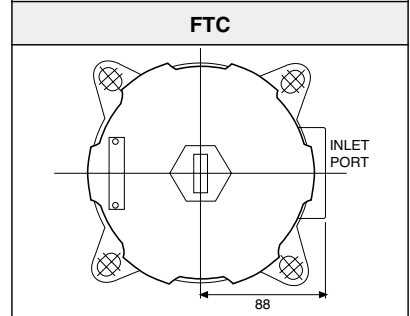
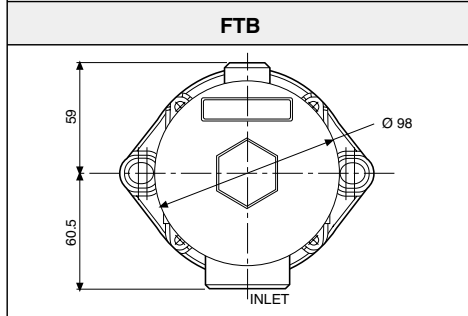
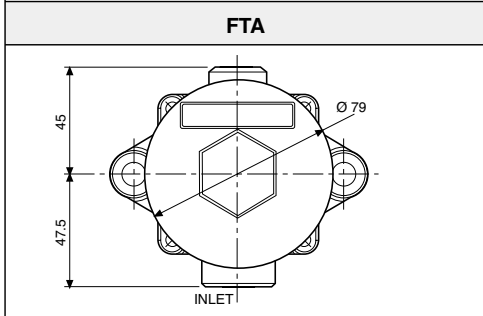
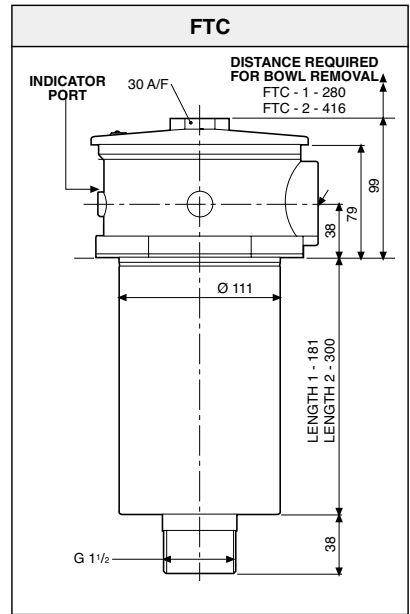
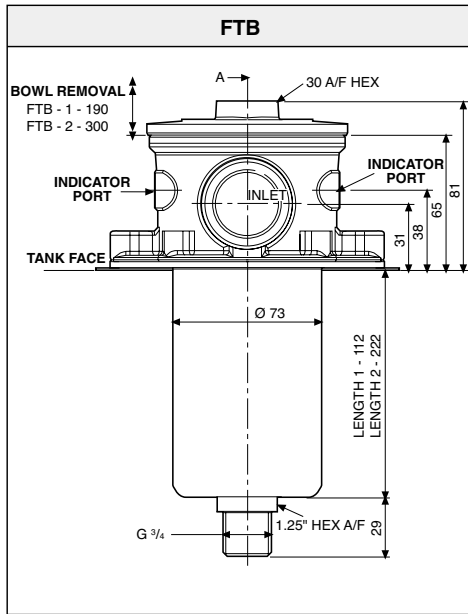
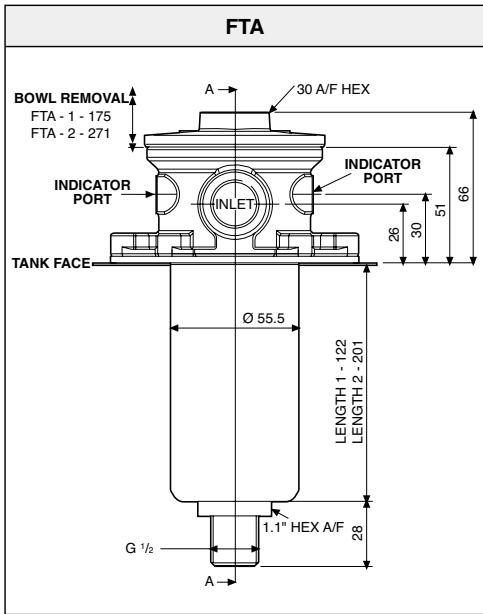
Specification

Maximum Allowable Operating Pressure (MAOP):	10 bar.		
Operating Temperature:	-30 °C to 110 °C.		
Materials of Construction:	Filter Head	Aluminium	
	Filter Cover	Aluminium	
	Filter Bowl	Mild Steel	FTA & FTB
	Filter Bowl	Aluminium	FTC
Ports:			
Port Style	FTA	FTB	FTC
BSPF(G)	1/2"	1"	1 1/2"
SAE	8	16	24
ISO 6149	M18	M33	M42
NPT	1/2"	1"	1 1/2"
Weights (kg):			
Model	Length 1	Length 2	
FTA	0.7	0.8	
FTB	1.3	1.6	
FTC	2.9	3.6	
Fluid Compatibility:	Suitable for use with mineral oils. For other fluids, please consult Parker Filtration.		
Seals:	Nitrile (standard). * Fluoroelastomer (optional).		
Bypass Valve:	Surge responsive high flow poppet valve (1.7 bar setting).		
Indication:	Pressure gauge - 40mm dia. (0 - 6 bar) colour coded to indicate bypass condition at 1.2 bar.		
Visual	Industrial	Automotive	
Electrical Pressure Switch	240VAC, 50 to 80Hz, 5A max current. Differential setting 1.2 bar.	48VAC, 0.5A 5A max current. Differential setting 1.7 bypass. 1.2 indication.	
Filter Element:	'Microglass II' disposable inorganic fibre media. Available as 5, 10 or 20µ absolute ($\beta_x \leq 200$). Media is supported both up and downstream, and the whole assembly bonded using an epoxy adhesive. End caps and support tube are tin plated giving excellent corrosion protection.		
Optional Features:	8" standard length, steel construction. Enables easy check of fluid level in reservoir.		
Dipstick	Quick change. Glass filled nylon construction. Obviates the need for a separate tank mounted breather.		
Breather	Enables reservoir filling through the filter ensuring only clean oil enters the system. Quick coupling kit available to link up with Parker Filtration Guardian Pump Transfer Unit (see catalogue V.I.1998 GB).		
Fill Port	Snap-in connection enables easy retro-fit of adaptor when fluid flow from the bowl outlet requires an extension pipe to ensure flow is below oil level. Preventing aeration of fluid.		
Bowl Adaptor			
Test Standards:	are tested to all relevant standards, including ISO4572 Multypass Test. Complete assemblies tested in accordance with ISO3968, "Determination of pressure drop flow characteristics of hydraulic fluidpower filters" using mineral oil fluid SAE 10 @ 30cST viscosity.		
Quality:	Parker Filtration is accredited to the ISO9002 quality standard.		

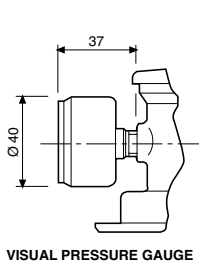
INSTALLATION DETAILS :-

PREMIER

PRODUCTS



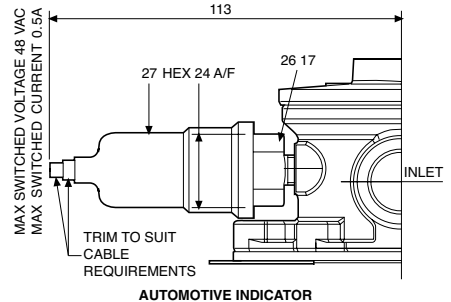
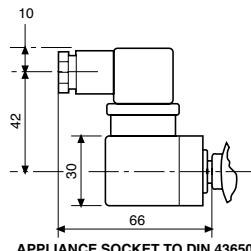
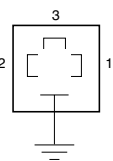
Indicator Detail



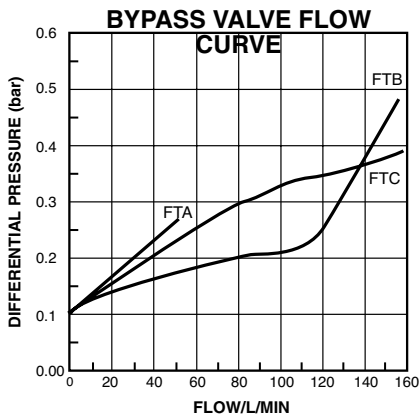
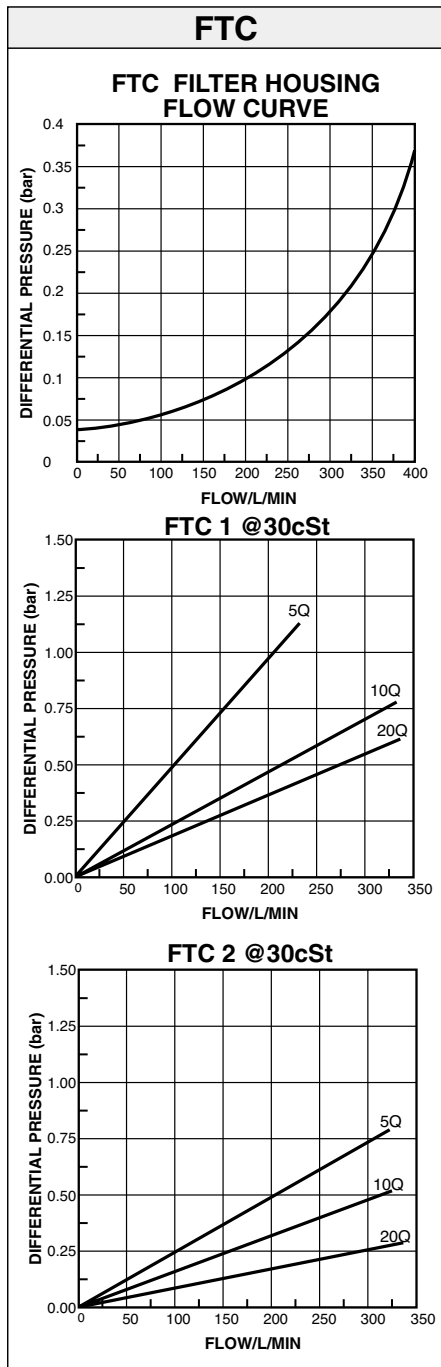
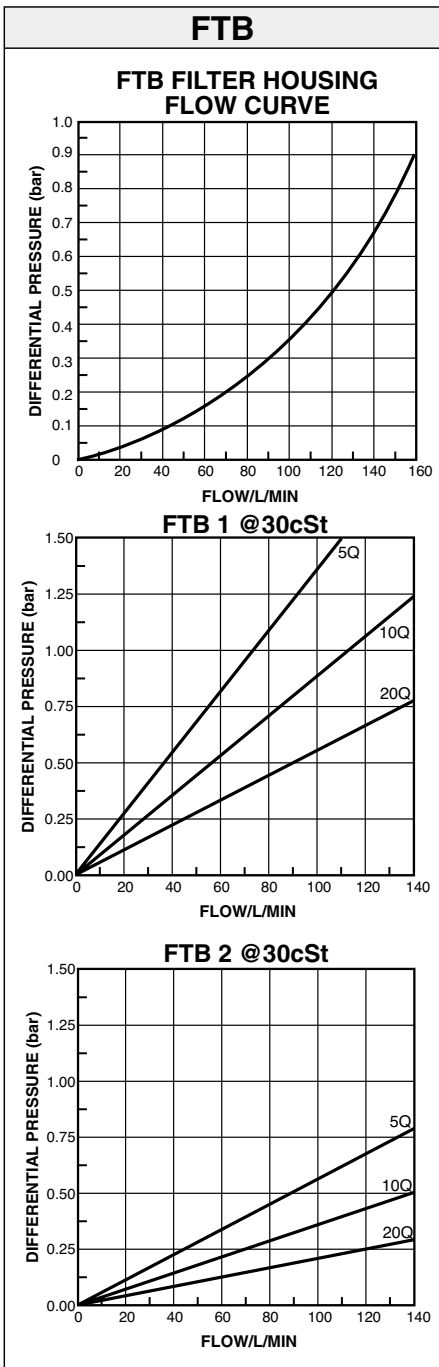
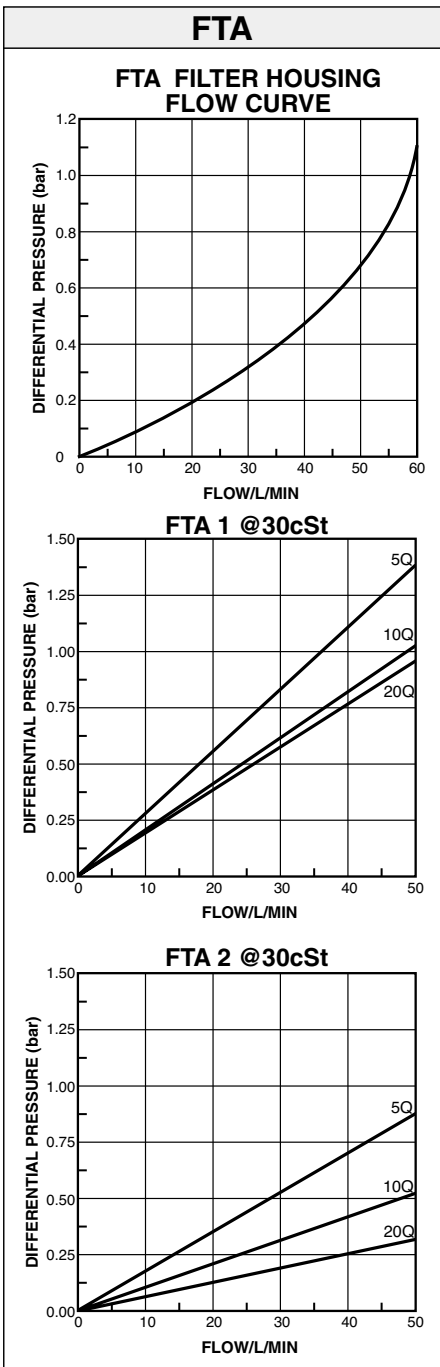
PLUG PIN CODE	
1	N. CLOSED
2	N. OPEN
3	COMMON

5 amps AT 250v AC
5 amps AT 110v AC
DIFFERENTIAL SETTING 1.2 bar
AMBIENT TEMPERATURE RANGE
-10°C TO + 60°C

ELECTRICAL PRESSURE SWITCH



PRESSURE DROP CURVES



PREFERRED PRODUCTS TABLE :-

The following standard filters are supplied with 1.7 bar bypass and Nitrile seals.

Series	Flow (l/min)	Length	Micron Rating	Indicator	Ports	Modifications	Replacement Elements
FTA1A10QP25G8X	30	1	10Q	Plugged	G 1/2	None	FTAE1A10Q
FTA1A10QV25G8C	25	1	10Q	Visual	G 1/2	Bowl Adaptor Only	FTAE1A10Q
FTA1A10QV25G8X	30	1	10Q	Visual	G 1/2	None	FTAE1A10Q
FTA1A10QE25G8X	30	1	10Q	Electrical Pressure Switch	G 1/2	None	FTAE1A10Q
FTA1A20QN25G8X	35	1	20Q	None	G 1/2	None	FTAE1A20Q
FTA1A20QP25G8X	35	1	20Q	Plugged	G 1/2	None	FTAE1A20Q
FTA1A20QE25G8X	35	1	20Q	Electrical Pressure Switch	G 1/2	None	FTAE1A20Q
FTA2A10QP25G8C	30	2	10Q	Plugged	G 1/2	Bowl Adaptor Only	FTAE2A10Q
FTA2A10QP25G8D	35	2	10Q	Plugged	G 1/2	Port & Bowl Adaptor	FTAE2A10Q
FTA2A10QP25G8X	35	2	10Q	Plugged	G 1/2	None	FTAE2A10Q
FTA2A10QE25G8X	35	2	10Q	Electrical Pressure Switch	G 1/2	None	FTAE2A10Q
FTA2A20QP25G8X	40	2	20Q	Plugged	G 1/2	None	FTAE2A20Q
FTA2A20QV25G8X	40	2	20Q	Visual	G 1/2	None	FTAE2A20Q
FTA2A20QE25G8X	40	2	20Q	Electrical Pressure Switch	G 1/2	None	FTAE2A20Q
FTB1A10QP25G16X	80	1	10Q	Plugged	G 1	None	FTBE1A10Q
FTB1A10QV25G16X	80	1	10Q	Visual	G 1	None	FTBE1A10Q
FTB1A10QE25G16X	80	1	10Q	Electrical Pressure Switch	G 1	None	FTBE1A10Q
FTB1A20QP25G16C	95	1	20Q	Plugged	G 1	Bowl Adaptor Only	FTBE1A20Q
FTB1A20QP25G16X	100	1	20Q	Plugged	G 1	None	FTBE1A20Q
FTB1A20QV25G16X	100	1	20Q	Visual	G 1	None	FTBE1A20Q
FTB1A20QE25G16X	100	1	20Q	Electrical Pressure Switch	G 1	None	FTBE1A20Q
FTB2A10QN25G16X	120	2	10Q	None	G 1	None	FTBE2A10Q
FTB2A10QP25G16X	120	2	10Q	Plugged	G 1	None	FTBE2A10Q
FTB2A10QV25G16C	115	2	10Q	Visual	G 1	Bowl Adaptor Only	FTBE2A10Q
FTB2A10QV25G16X	120	2	10Q	Visual	G 1	None	FTBE2A10Q
FTB2A10QE25G16X	120	2	10Q	Electrical Pressure Switch	G 1	None	FTBE2A10Q
FTB2A20QP25G16X	130	2	20Q	Plugged	G 1	None	FTBE2A20Q
FTB2A20QV25G16X	130	2	20Q	Visual	G 1	None	FTBE2A20Q
FTB2A20QE25G16X	130	2	20Q	Electrical Pressure Switch	G 1	None	FTBE2A20Q
FTC1A10QV25G24X	250	1	10Q	Visual	G 1 1/2	None	FTCE1A10Q
FTC1A10QP25G24X	250	1	10Q	Plugged	G 1 1/2	None	FTCE1A10Q
FTC1A10QE25G24X	250	1	10Q	Electrical Pressure Switch	G 1 1/2	None	FTCE1A10Q
FTC1A20QP25G24X	275	1	20Q	Plugged	G 1 1/2	None	FTCE1A20Q
FTC1A20QV25G24X	275	1	20Q	Visual	G 1 1/2	None	FTCE1A20Q
FTC2A10QP25G24X	290	2	10Q	Plugged	G 1 1/2	None	FTCE2A10Q
FTC2A10QV25G24X	290	2	10Q	Visual	G 1 1/2	None	FTCE2A10Q
FTC2A20QP25G24X	320	2	20Q	Plugged	G 1 1/2	None	FTCE2A20Q
FTC2A20QV25G24X	320	2	20Q	Visual	G 1 1/2	None	FTCE2A20Q

NOTE: Filters ordered from the Part Number Matrix below are on extended lead times. Where possible, please make your selection from the table above.

PART NUMBER MATRIX :-

Table 1	Table 2	Table 3	Table 4	Table 5	Table 6	Table 7	Table 8	Table 9
FTA	I	A	20Q	E	25	G8	B	-

Table 1		Table 4		Table 5		Table 7		
SYMBOL	MAX/FLOW	ELEMENT MEDIA		INDICATOR		PORTS		
SYMBOL	DESCRIPTION	SYMBOL	DESCRIPTION	CODE	DESCRIPTION	MODEL	SYMBOL	DESCRIPTION
FTA	50 L/MIN	05Q	5µ ABSOLUTE	N	NONE	FTA	N8	1/2" NPT
FTB	120 L/MIN	10Q	10µ ABSOLUTE	P	PLUGGED		G8	G 1/2
FTC	300 L/MIN	20Q	20µ ABSOLUTE	V	VISUAL PRESSURE GAUGE		M18	M18, ISO 6149
Table 2		Table 6		Table 8			S8	SAE-8
BOWL/ELEMENT LENGTH		BYPASS		PORTS		FTB	N16	1" NPT
SYMBOL	DESCRIPTION	SYMBOL	DESCRIPTION	SYMBOL	DESCRIPTION		G16	G1
1	LENGTH 1	25	1.7 bar - 25PSIG	X	NONE		M33	M33, ISO 6149
2	LENGTH 2	Table 8		Y	ALL-BREATHER, FILL PORT, BOWL ADAPTOR	FTC	N24	1 1/2" NPT
SEALS		PORTS		A	BREATHER ONLY		G24	G 1 1/2
SYMBOL	DESCRIPTION	SYMBOL	DESCRIPTION	B	FILL PORT ONLY		M42	M42, ISO 6149
A	NITRILE	C	BOWL ADAPTOR ONLY	ALL MODIFICATIONS APPLY TO FTA & FTB ONLY, FOR FTC USE X.				
B	FLUOROELASTOMER	D	FILL PORT & BOWL ADAPTOR	E	FILL PORT & BREATHER		S24	SAE-24
		F	BREATHER & BOWL ADAPTOR					